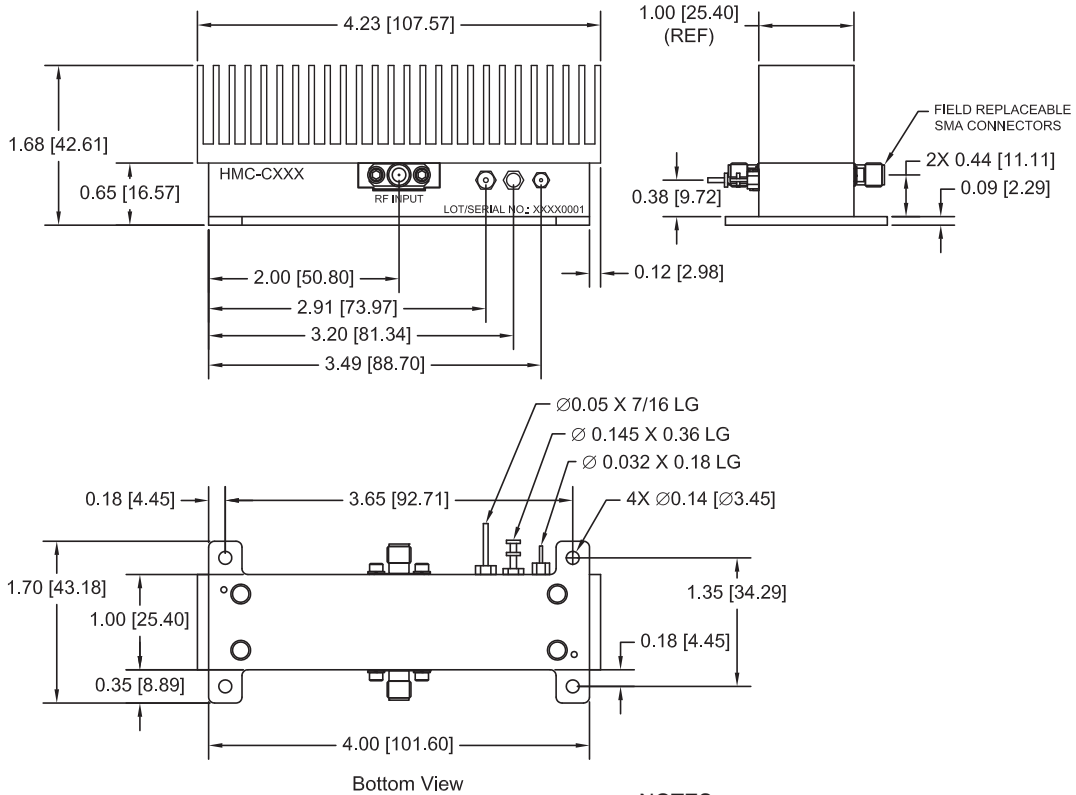


**C-12 – CONNECTORIZED  
HERMETIC MODULE**

**C-12 Package Outline Drawing**



**NOTES:**

1. PACKAGE: ALUMINUM
2. FINISH: (HEATSINK) ANODIZED, (HOUSING AND BASEPLATE): IRIDITE CHEMICAL FILM PER MIL-C-5541 CLASS C.
3. ALL DIMENSIONS ARE IN INCHES [MILLIMETERS].
4. TOLERANCES  $\pm 0.005$  [0.13] UNLESS OTHERWISE SPECIFIED.